

PRODUCT INFORMATION PACKET

marathon®
Motors

Model No: 056C34D2097
Catalog No: J009
1/2,3450,DP,56C,1/60/115/230 (USE 5KC36JN268X)
Jet Pump Motors



Regal and Marathon are trademarks of Regal Rexnord Corporation or one of its affiliated companies.
©2021 Regal Rexnord Corporation, All Rights Reserved. MC017097E

RegalRexnord



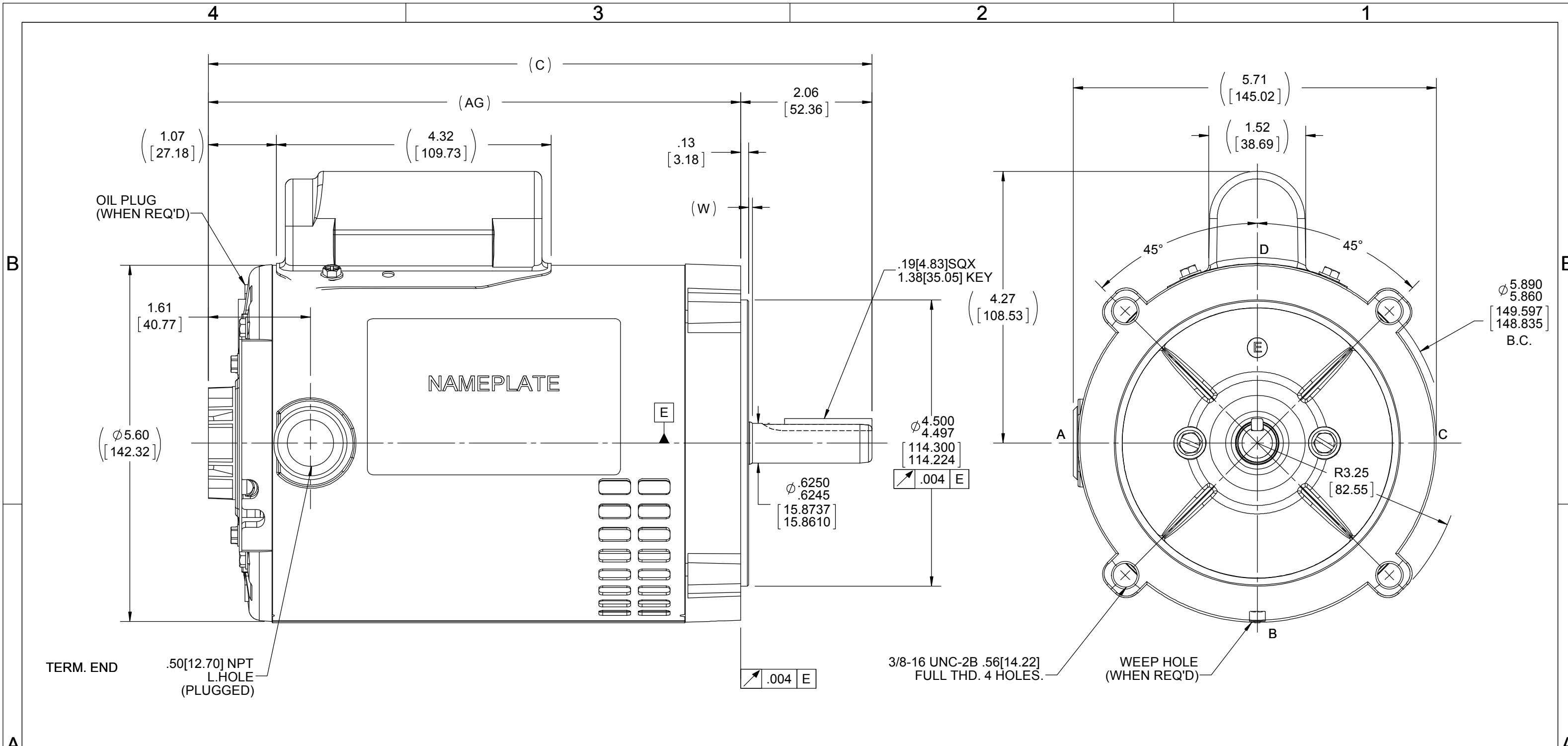
Nameplate Specifications

Output HP	0.50 Hp	Output KW	0.37 kW
Frequency	60 Hz	Voltage	115/208-230 V
Current	7.4/3.5-3.7 A	Speed	3450 rpm
Service Factor	1.6	Phase	1
Efficiency	62 %	Power Factor	72.5
Duty	Continuous	Insulation Class	B
Design Code	No Design Code	KVA Code	L
Frame	56C	Enclosure	Drip Proof
Thermal Protection	Automatic	Ambient Temperature	40 °C
Drive End Bearing Size	6203	Opp Drive End Bearing Size	6203
UL	Recognized	CSA	Y
CE	N	IP Code	22
Number of Speeds	1		

Technical Specifications

Electrical Type	Capacitor Start Induction Run	Starting Method	Across The Line
Poles	2	Rotation	Fixed Clockwise
Resistance Main	0 Ohms	Mounting	Round
Motor Orientation	Horizontal	Drive End Bearing	Ball
Opp Drive End Bearing	Ball	Frame Material	Rolled Steel
Shaft Type	T	Overall Length	10.69 in
Shaft Diameter	0.625 in	Shaft Extension	1.88 in
Assembly/Box Mounting	F1 Only		
Outline Drawing	A-SS75606-675	Connection Drawing	A-EE9002V

This is an uncontrolled document once printed or downloaded and is subject to change without notice. Date Created:10/11/2021

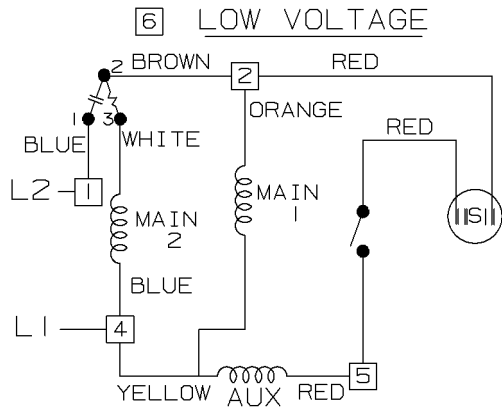


TERM. END .50[12.70] NPT L.HOLE (PLUGGED)

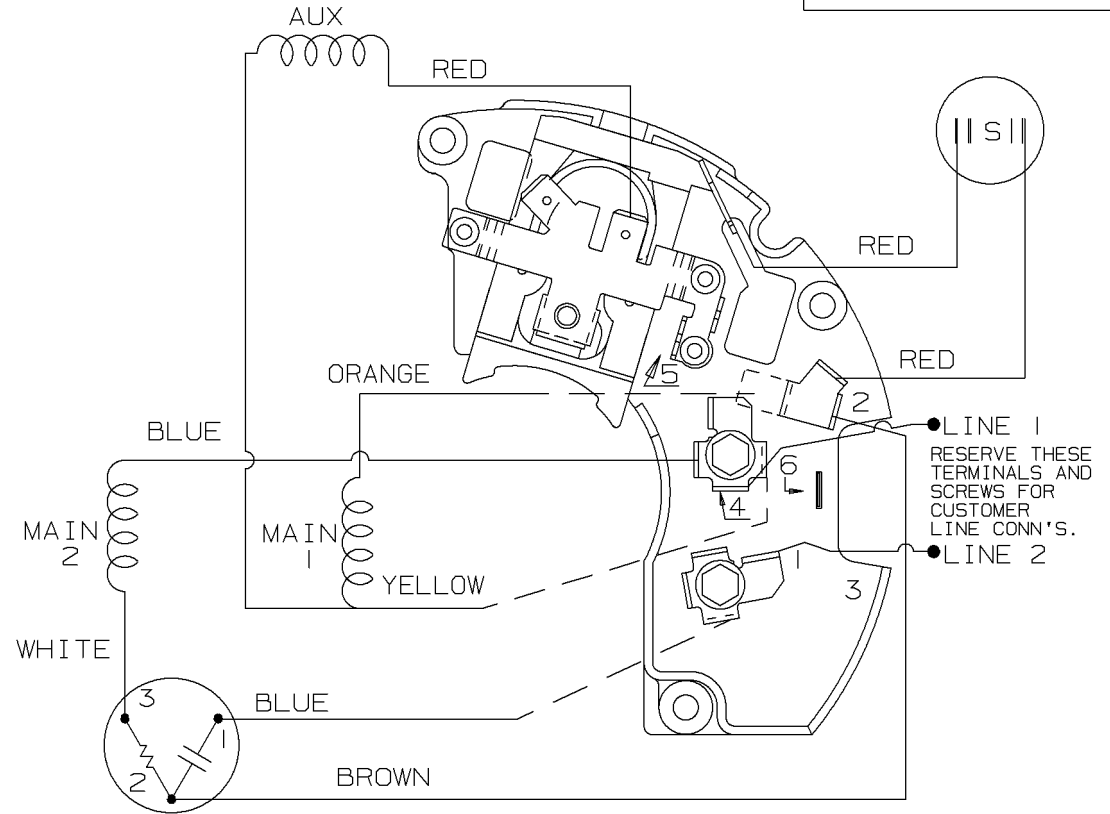
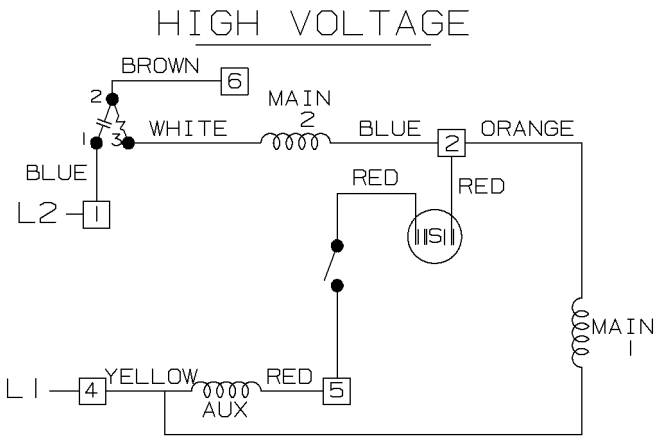
DASH	C	AG
625	10.19[258.82]	8.12[206.24]
650	10.44[265.17]	8.37[212.59]
675	10.69[271.52]	8.62[218.94]
700	10.94[277.87]	8.87[225.29]
725	11.19[284.22]	9.12[231.64]
775	11.69[296.92]	9.62[244.34]
800	11.94[303.27]	9.87[250.70]

- NOTES :-**
- 1). NAMEPLATE LOCATION AT "A" READ FROM TERM.END
 - 2). 'W'=CLEARANCE ALLOWED FOR ALL VARIANCES IN MANUFACTURING & ASSEMBLY.

DRAWING REVISION J	REVISION BY M. CHATLAPALLI	DATE 1/8/2019	TOLERANCES UNLESS OTHERWISE SPECIFIED: DEC. INCH mm ANGLE .X ±0.1 [±2.5] ±7' 30" .XX ±0.03 [±0.76] .XXX ±0.005 [±0.127] .XXXX ±0.0005 [±0.0127]	DRAWN BY RM	REGAL ™ Regal Beloit America, Inc.
ECO ECO-0161326	APPROVED BY D.SURYAWANSHI	DATE 2/6/2019		DATE 10-09-1992	
ECO DESCRIPTION OUTLINE CONVERSION PROJECT COPYRIGHT REGAL BELOIT AMERICA, INC. ALL RIGHTS RESERVED. PROPRIETARY AND CONFIDENTIAL INFORMATION - THIS DOCUMENT IS THE PROPERTY OF REGAL BELOIT AMERICA, INC. ("OWNER") AND CONTAINS OWNER'S PROPRIETARY INFORMATION. ANY PERSON, CORPORATION OR OTHER FIRM RECEIVING IT IS DEEMED, BY RECEIVING IT, TO AGREE THAT IT, AND/OR ANY PART OF IT, SHALL NOT BE DISCLOSED TO ANY PERSON, CORPORATION OR OTHER ENTITY, DUPLICATED, AND/OR USED, EXCEPT AS EXPRESSLY APPROVED IN WRITING IN ADVANCE BY OWNER. THIS DOCUMENT SHALL BE RETURNED TO OWNER UPON REQUEST. IT MAY BE SUBJECT TO CERTAIN RESTRICTIONS UNDER APPLICABLE EXPORT CONTROL LAWS AND REGULATIONS.			REMOVE BURRS & BREAK SHARP EDGES: .003/.015 [.076/.381] X 45 ° CORNER FILLETS: R.02 [.51] MACHINED SURFACES: 200 INCH/mm 5.1 mm SHOWN IN [BRACKETS]	APPROVED BY JAY	DESCRIPTION OUTLINE
			DATE 10-09-1992	REFERENCE SS75606	MATERIAL PROCESS/FINISH
			THIRD ANGLE PROJECTION	SIZE B	DRAWING NUMBER SS75606
					SHEET 1 OF 1



DUAL VOLTAGE
CAP. START NOT REVERSIBLE
WITH OVERLOAD PROTECTION.



RESERVE THESE
TERMINALS AND
SCREWS FOR
CUSTOMER
LINE CONN'S.

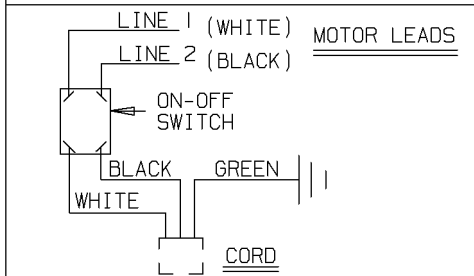
VIEWING TERM END

LOW VOLTAGE CW ROTATION SHOWN.

FOR HIGH VOLTAGE
CONNECT BROWN TERM 2 TO TERM 6.
CONNECT BLUE TERM 4 TO TERM 2.

DASH LINES INDICATE LEADS CONNECTED
TO MOTOR SIDE OF SWITCH.

USE WHEN CONNECTING CORD AND SWITCH
INSIDE CONDUIT BOX.



3	01-28-1991	REVISED LINE 2 LOCATION	RM	✓ MAX. SURFACE ROUGHNESS UNLESS NOTED OTHERWISE	UNLESS OTHERWISE SPECIFIED DIMENSIONS ARE IN INCHES TOL. ON XX± XXX±.005 XXXX±.0005 ANGLES±
2	01-04-1991	ADDED CORD - SWITCH CONNECTION	SMC	MATL SPEC	DRAWN BY SMC 12-11-1990
1	112-11-1990	NEW DRAWING	SMC	FINISH	CHKD BY ML 12-11-1990
REV	DATE	CHANGE	NAME	REFERENCE DRW.	APPD BY GK 12-11-1990
			PART NAME CONNECTION DIAGRAM 48 FR. DUAL VOLTAGE NOT REVERSIBLE		DRWG NO A-EE9002V



SHOP BOOK

PURCHASED

DISTRIBUTION - WA - LB - WP - LM - BR

CADD FILE NO.

EE9002V

ERROR: syntaxerror
OFFENDING COMMAND: --nostringval--

STACK:

/im
-savelevel-